

Declaration

Nanjing China Electronics Panda Crystal Technology Corporation hereby declares that K, N, KC, KD, L, ON, OM series are available with two packing types 1000pcs/reel and 3000pcs/reel. We guarantee that all the physical, electrical, functional characteristics and the quality of the components are the same and only the quantity of components per reel is different between the two packing types.

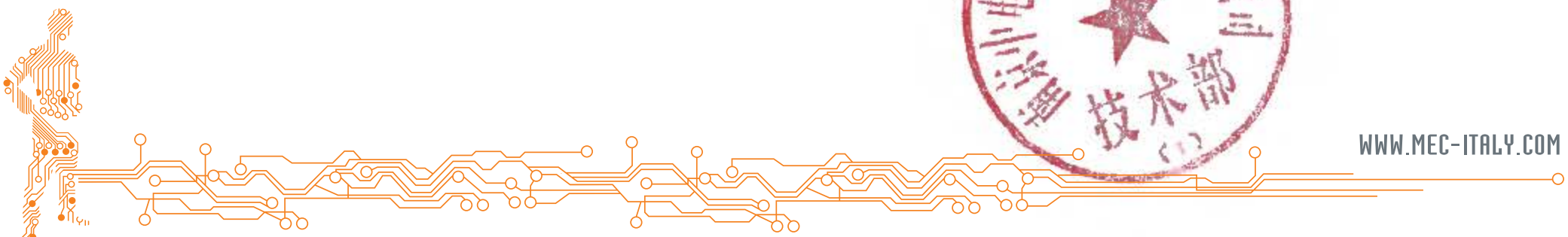
Part numbering for packing 1000/reel does not change and still show TR at the end

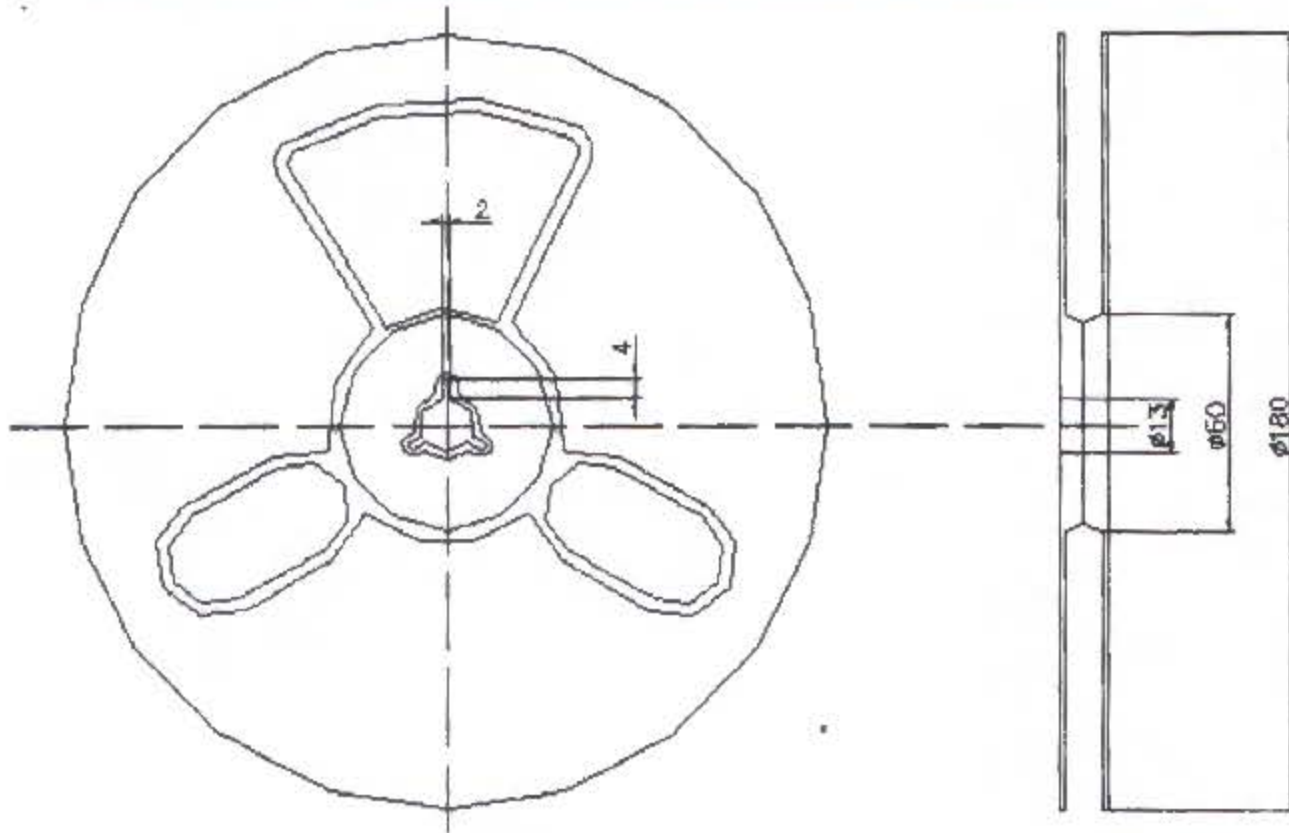
Part numbering for packing 3000/reel will show "T3" at the end

The following examples show the differences in the part numbering between the two types of packing

PN with packing 1K/reel (no changes)	PN with packing 3K/reel (final T3 code)
HLX-K-F-16.0000M-12-3030-4085-100-TR	HLX-K-F-16.0000M-12-3030-4085-100-T3
HLX-N-F-16.0000M-12-3030-4085-80-TR	HLX-N-F-16.0000M-12-3030-4085-80-T3
HLX-KC-F-16.0000M-12-3030-4085-150-TR	HLX-KC-F-16.0000M-12-3030-4085-150-T3
HLX-KD-F-32.0000M-12-3030-4085-100-TR	HLX-KD-F-32.0000M-12-3030-4085-100-T3
HLX-L-3-5-16.0000M-50-4085-1-TR	HLX-L-3-5-16.0000M-50-4085-1-T3
HLX-ON-3-5-16.0000M-50-4085-1-TR	HLX-ON-3-5-16.0000M-50-4085-1-T3
HLX-OM-3-5-16.0000M-50-4085-1-TR	HLX-OM-3-5-16.0000M-50-4085-1-T3

The dimensions of the reel do not change and are the same for both packing types 1000pcs/reel and 3000pcs/reel.





Also here are some photos that show the appearance of the two packing types.

Picture #1 for 1K/Reel

Picture #2 for 3K/Reel



Company name : Nanjing China Electronics Panda Crystal Technology Corporation

Factory address : No.56, Xingang Avenue, Economic And Technical Development Zone, Nanjing, Jiangsu, China

Person by: _____

Date : _____

[Handwritten signature]

2023.3.22

